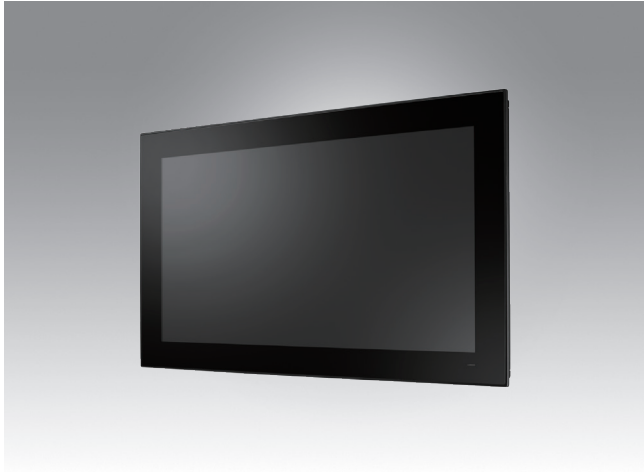


Sterling ProMeasure Systems

PM48156

15.6" Fanless Panel PC with Intel® Core™ i7/i5/i3 Processor



Features

- Industrial-grade 15.6" FHD LCD panel with 50k backlight lifetime
- True-flat touchscreen with multi-touch projected capacitive control
- High-performance, fanless 11th generation Intel® Core™ i processor
- Dual channel memory slots, max 64G
- Compact, fanless design with aluminum alloy enclosure
- IP66-rated front panel
- Supports dual displays (1 x external HDMI)
- 1 x M.2 bay (2242/2280 NVME or SATA Interface) for storage and support SATA RAID 0, 1
- 1 x 2500BASE-T Ethernet Supports Time-Sensitive Network(TSN) technology
- Supports VESA 100
- Support TPM2.0 hardware security
- Supports Type C (USB only)



Introduction

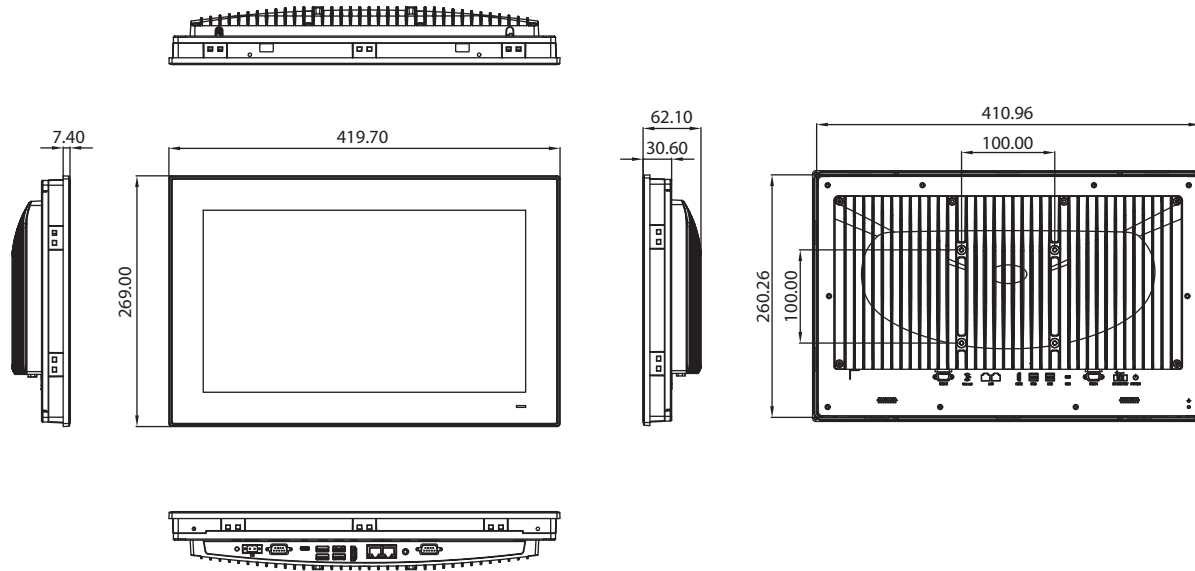
PM48156 is an 15.6" Fanless Panel PC equipped Intel 11th Gen Core i7/i5/i3, providing high computing performance with robust aluminum alloy enclosure. It also leverages M.2 M key NVMe PCIe to accommodate extremely high data rate and low latency advantage. PM48156 features 3 x USB 3.2, 2 x series ports and 1 x HDMI for flexible access and connection. The PM48156 is an excellent solution to enable quick data capture, processing and data digitalization in various industrial applications.

Specifications

System	CPU	i3-1115G4E	i5-1145G7E	i7-1185G7E
	Cores	Dual Core	Quad Core	Quad Core
	Frequency	2.2GHz; 3.90GHz with turbo boost	1.5 GHz; 4.1 GHz with turbo boost	1.8 GHz; 4.4 GHz with turbo boost
	Cache	6 MB	8 MB	12 MB
	TDP	15W	15W	15W
	Memory	2 x SO-DIMM DDR4 3200MHz (max. 32GB x 2)		
	Storage	1 x 2.5" SATA bay 1 x M.2 2280 M-Key bay (Co-lay SATA, for storage only)		
	Network (LAN)	1 x Intel I219LM controller; Speed: 10M / 100M / 1000M 1 x Intel I225LM controller; Speed: 10M / 100M / 1000M / 2500M		
	I/O	2 x Serial ports: 1 x RS-232, 1 x RS-232/422/485(Adjustable through BIOS) 3 x USB 3.2, 1 x USB 2.0, 2 x USB 2.0 (internal), 1 x Type C (USB only) 1 x HDMI1.4 1 x TPM 2.0 1 x Line out		
	Speaker	2 x 1W		
Expansion	1 x M.2 2230 E-key for wireless card			
Watchdog Timer	255 timer levels, set up by software			
Physical Characteristics	Dimensions	419.7 x 269.0 x 62.1 mm (16.5 x 10.6 x 2.4 in)		
	Weight	4.8 kg (10.67 lb)		
OS Support	OS Support	Microsoft® Windows 10 IOT LTSC(64-bit), Win11, Linux		
Power Consumption	Input Voltage	12 ~ 30 V _{DC}		
	Power Consumption	70W (Burn-in test 8.1 in Windows 10 64-bit)		
LCD	Display Type	15.6" FHD LCD (LED backlight)		
	Resolution	1920 x 1080		
	Viewing Angle	80 (left), 80 (right), 85 (up), 85 (down)		
	Luminance (cd/m ²)	450		
	Contrast Ratio	800		
	Backlight Lifetime	50,000 hr (min.)		
	Touchscreen	Touch Type	10-point multi-touch projected capacitive	
Light Transmission		90 % ± 2 %		
Controller		USB interface		
Environment	Operating Temperature	-10 ~ 50 °C (14~122 °F)		
	Storage Temperature	-20 ~ 60 °C (-4 ~ 140 °F)		
	Relative Humidity	95% @ 40 °C (non-condensing)		
	Shock	Operating 10 G peak acceleration (11 ms duration), follow IEC 60068-2-27		
	Vibration	Operating Random Vibration Test 5 ~ 500Hz, 2Grms @with SSD, follow IEC 60068-2-64		
	EMC	CE, FCC Class B, BSMI, VCCI, UKCA		
	Safety	CB, UL, CCC, UKCA		
Front Panel Protection	IP66 compliant			

Dimensions

Unit: mm

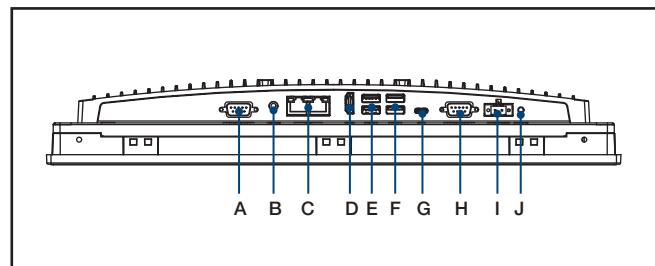


Panel Cutout Dimensions: 413 x 262 mm (16.25 x 10.31 in)

Ordering Information

Part Number	Description
PM48156-PB50A	15.6" PPC w/Intel i5-1145G7E, P-Cap
PM48156-PB30A	15.6" PPC w/Intel i3-1115G4E, P-Cap
PM48156-PB70A	15.6" PPC w/Intel i7-1185G7E, P-Cap
96PSA-A150W19P2-4	Power adapter 100-240V 150W 19V
PPC-WLAN-D2	M.2, WiFi6 +BT5.2, 2T2R, w/Antenna
PPC-ARM-A03	ARM VESA Standard for PPC series
PPC-174T-WL-MTE	Wall mount kit for PPC series
PPC-Stand-A1E	Stand for PPC series
1702002600	Power Cable UL/CSA (USA) 180D 125V10A 1.83M
1702002605	Power Cable 90D 220V EUROPEAN 250V/6A 1.8M
1700000237	Power Cord PSE 3P 12A 125V 183cm
96CB-POWER-B-1.8MA	Power code 3P CCC(China) 1.8M
98R3P300010	PPC-300 RFID Read only 13.56MHz&125k

I/O View



- | | |
|-----------------------------|--------------------------|
| A. COM2: 1 x RS-232/422/485 | F. 2 x USB 3.2 |
| B. 1 x Line out | G. 1 x Type C (USB only) |
| C. 2 x LAN | H. COM1: RS-232 |
| D. 1 x HDMI 1.4 | I. DC In |
| E. 1 x USB 2.0, 1 x USB 3.2 | J. Power Button |