



## WiGauge™ Gen1 and Gen 2

### Description

The freedom to roam with new WiGauge™ brings increased efficiency to gauging stations and work practices. The ability to work without cables means that the gauging process is not restricted by cable length and routing, or the risk of cable damage.

The audio and visual pass/fail indicators on the WiGauge™ give the operator the opportunity to decide whether or not to remove a component from a machine tool while the reading is logged into a system that can be up to 15 metres away. The rugged construction and class 1 Bluetooth® communication ensure that it is able to work reliably in the often hostile environment of an engineering machine shop. **With the NEW option of a integral LCD display the WiGauge™ offers even more flexibility.**

Post process gauging stations become more flexible and with the ability to connect multiple WiGauge™ to a single receiver, cable tangles are eliminated in multi-point gauging applications.



### Features

10 mm and 6 mm diameter fixing threads (as used on most popular gauge heads)

#### LCD Screen option

< 0.1  $\mu\text{m}$  resolution (user selectable)

Up to 15 metre data transmission, via class 1 Bluetooth®

Multiple WiGauge™ connected to a single system

10 hours battery life (based on continuous data transmission)

Fast battery recharge

IP65 protection

Pass/fail range lamps

Audio indication of data transmission



Now available with  
Inductive Charging



## Technical Specification

| <b>Wireless Hand tool Gen 1 and Gen 2 with LCD Display<br/>Spring actuated internal 10 mm Probe</b>  | WHT/10/S  |
|--|---|
| <b>WHT Performance</b><br>Measurement Range<br>Accuracy<br>Repeatability<br>Resolution   | Depends on Head Fitted<br>Depends on Head Fitted<br>Depends on Head Fitted<br>Depends on Head Fitted  |
| <b>Internal Probe Measurement Performance</b><br>Accuracy (% of Reading) (Note 1)<br>Repeatability (typical) $\mu\text{m}$ (Note 3)<br>Resolution ( $\mu\text{m}$ )              | 0.06<br>0.07<br>0.05  |
| <b>Internal Probe Mechanical Interface</b><br>Pre Travel (mm)<br>Post Travel (mm)  | 0.15<br>0.85  |
| <b>Electronics Interface</b><br>Bluetooth<br>Reading Rate  | Class1: Range 15 m<br>Class 2 and Class 3 selectable<br>Up to 67 readings per second  |
| <b>Environmental</b><br>Sealing<br>Storage Temperature ( $^{\circ}\text{C}$ )<br>Operating Temperature ( $^{\circ}\text{C}$ )<br>EMC Emissions<br>EMC Immunity<br>Power (Note 4) | IP65 (excluding head interface)<br>-20 to +70<br>5 to 60<br>EN61000-6-3 and EN61326<br>EN61000-6-2 and EN61326<br>Rechargeable Battery Pack |
| <b>Material</b><br>Body<br>Internal  | ABS and Nylon<br>Stainless Steel  |
| <b>Display (Gen 2 Only)</b><br>Type<br>Protection  | Colour LCD<br>Acrylic Sealed Cover  |

Note1: Accuracy 0.1 $\mu\text{m}$  or % reading whichever is the greater

Note 2: No Note 2

Note 3: Obtained by repeated operation against a carbide target standard deviation from average (68%)

Note 4: Standard battery pack 10 hours continual operation, inductive charged pack 5 hours.

The Bluetooth® word mark and logos are registered trademarks owned by Bluetooth SIG, Inc and any use of such marks by Solartron Metrology is under license. Other trademarks and trade names are those of their respective owners.



**Wireless Hand tool Gen 1 and Gen 2 with LCD Display  
Spring actuated internal 10 mm Probe**

WHT/10/S

|                                    |
|------------------------------------|
| <b>Functionality</b>               |
| Auto Power Down (programmable)     |
| Measurement Types (programmable)   |
| Measurement Modes (programmable)   |
| Tagged Measurements (programmable) |

|  |
|--|
| Off or 1 to 600 Seconds  |
| Normal (Current Measurement)<br>Max<br>Min<br>Difference (Max-Min) |
| Absolute, Zero (Tare) or Preset                                    |
| Measurement sent to computer is tagged when control button pressed |

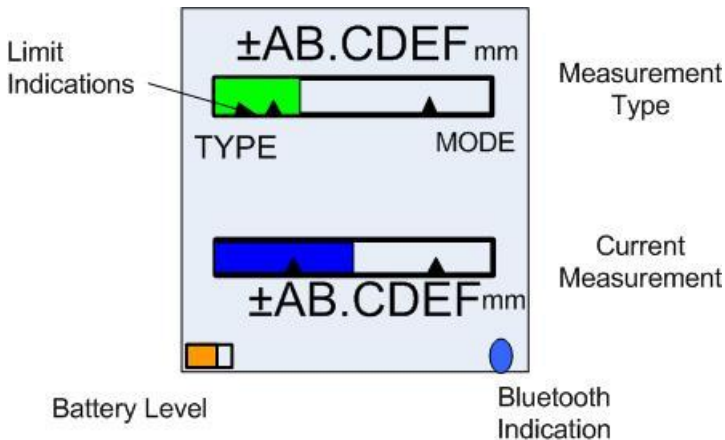
|                             |
|-----------------------------|
| <b>Display (Gen 2 Only)</b> |
| Type                        |
| Protection                  |
| Configuration               |
| Data (see Display Image)    |
| Limits and Warnings         |
| Other                       |

|                                     |
|-------------------------------------|
| Colour LCD                          |
| Acrylic Sealed Cover                |
| Digital and Analogue Representation |
| Current Live and Mode Reading       |
| Red - Out of Limit                  |
| Bluetooth and Battery Status        |

|                                    |
|------------------------------------|
| <b>Controls and LED Indication</b> |
| Controls                           |
| LED Indication Bluetooth           |
| LED Battery Indication             |
| LED Limits                         |

|  |
|--|
| 2 Buttons on hand tool body with various functions |
| Flashing Blue LED indicates connection             |
| Red Flashing - Warning                             |
| Red Continual- Battery requires charging           |
| Green - Measurement In Limit                       |
| Red - Measurement Out of Limit                     |

## Display Configuration



The display can be set to display the range and tolerance of the part being measured. (e.g.  $28 \pm 0.05$  mm)



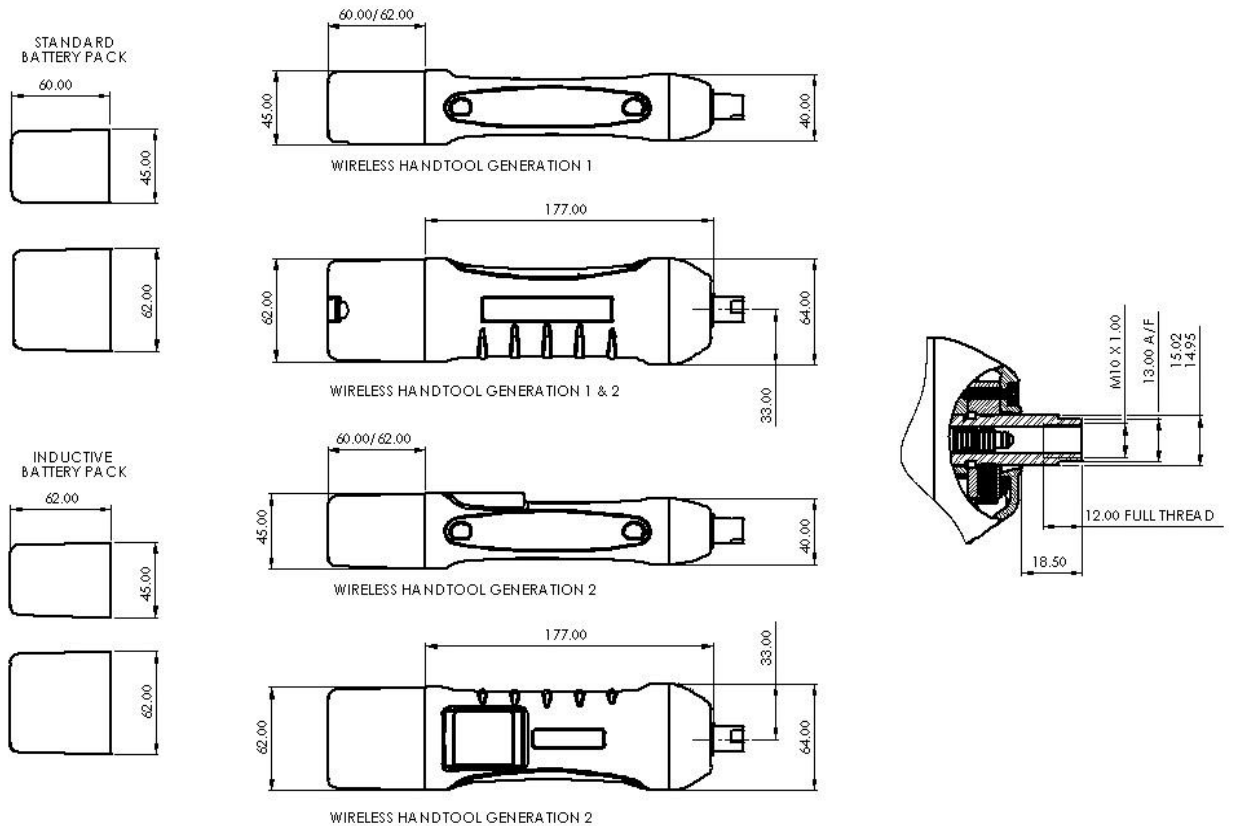
Setting up the WiGauge™ to communicate with a Bluetooth® enabled Windows® based PC is quick and easy.

It is recommended using the Bluetooth® USB adapter supplied with the WiGauge™ pack to obtain the most reliable data communication to the PC.



### Dimensions (mm)

The WiGauge™ is compatible with industry standard 10 mm and 6 mm gauge head threads. The internal transducer has a 10 mm measuring range that enables it to cope with any variations in thread or gauge pin length.





## Battery and Charging Options

The WiGauge™ can be supplied with different battery options and charger options.

### Standard Battery Pack

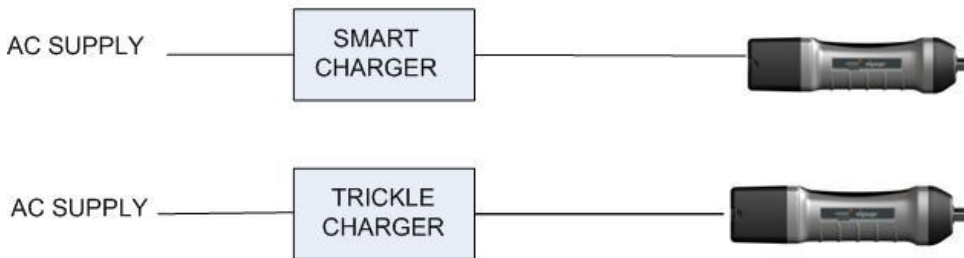
This pack is charged via a connector using either a smart charger or a trickle charger. The smart charger provides rapid charging and then maintains the battery pack with a low level trickle charge. Charge time is typically 2 hours for a fully discharged pack. This charger is best suited to applications where the pack is charged off line. For applications where the tool is left connected to the charger when not in use, the trickle charger option is advised.

### Inductive Charged Battery Pack

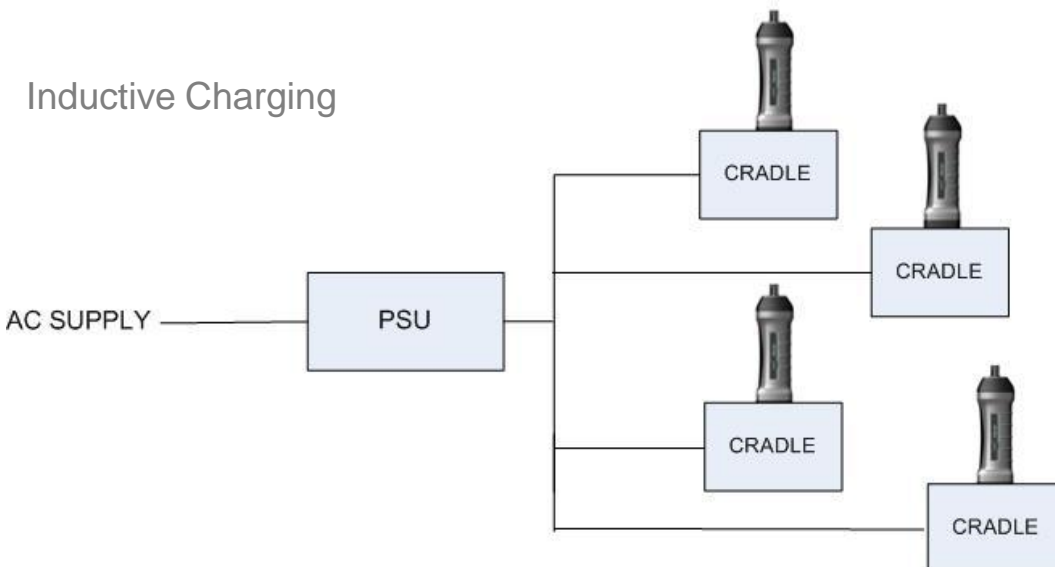
This pack is charged whenever the tool is placed in the inductive charger cradle. Charge time from fully discharged is in the region of 14 hours, however as the tool will normally be left in the charger between operations, the pack will remain charged. The cradle must be connected to the charger PSU module to operate correctly, one PSU module can power up to 4 inductive cradles

The battery packs can be interchanged but must be used with the correct charger. The inductive charger will not charge the standard battery pack. (see product manual for further details)

## Charging Options Standard Battery Pack

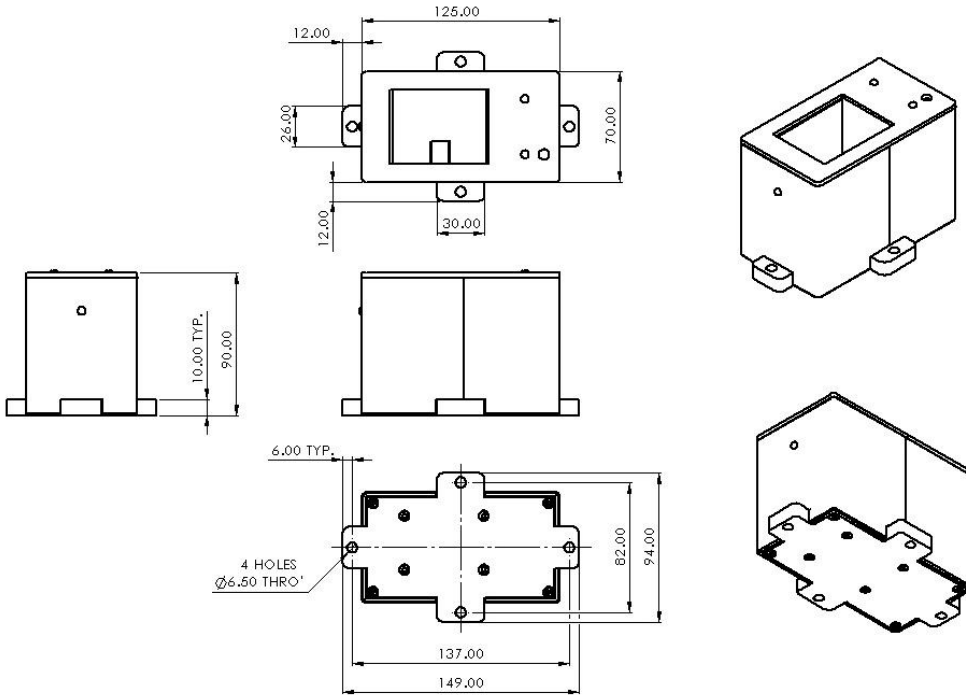


## Inductive Charging





## Inductive Cradle Dimensions (mm)



## Ordering Information

| Description  | Part Number      | Package   |
|--|------------------|---|
| <b>Wireless Hand Tool with Standard Battery Packs</b>  |                  |   |
| Wireless Hand Tool Kit with NO Display                 | 973176K-UK/EU/US | 1 x WiGauge™, 2 x Standard Battery Packs, 1 x Charger with Mains Lead         |
| Wireless Hand Tool Kit with LCD Display                | 973262K-UK/EU/US |   |
| Standard Battery Pack                                  | 805794-SX        | 1 x Standard Battery Pack   |
| Smart Charger with Mains Lead                          | 911474-UK/EU/US  | 1 x Charger with Mains Lead   |
| Trickle Charger with Mains Lead                        | 911460-UK/EU/US  | 1 x Charger with Mains Lead   |
| <b>Wireless Hand Tool with Inductive Battery Packs</b> |                  |   |
| Wireless Hand Tool Kit with NO Display                 | 973278           | 1 x WiGauge™, 1 x Inductive Battery Pack, 1 x Cradle/Charger, 1 x Manual      |
| Wireless Hand Tool Kit with LCD Display                | 973279           |   |
| Inductive Battery Pack                                 | 807013-SX        | 1 x Inductive Battery Pack  |
| Inductive Charger/Cradle                               | 807054-SX        | 1 x Cradle/Charger  |
| Inductive Charger Power Supply (PSU)                   | 807055-UK/EU/US  | 1 x PSU for Inductive Charger (Powers up to 4 Cradle/Charger) with Mains Lead |
| <b>Accessories</b>                                     |                  |   |
| Bluetooth® USB Adapter                                 | 805811-SX        | 1 x Bluetooth® USB Adapter  |
| Manual   | 009317           | 1 x Manual  |
| M6 Adapter   | 806409-SX        | 1 x M6 Adapter  |